

# STI BIO PROTECTORS/ SNOOPER STOPPER®



STI-6514-S



STI-7505



STI-6516



## KEY FEATURES

### General Information

- Protects a wide range of equipment against abuse, accidental damage and theft.
- STI-6514, STI-6514-S & STI-6516 can be used over volume and lighting controls.
- Three year guarantee against breakage of polycarbonate in normal use.

### Design

- Constructed of tough polycarbonate material, the covers can protect a wide range of devices.

### Construction

- Covers are molded from thick, super tough polycarbonate material.
- All covers and hinges are molded from thick polycarbonate material that is UV-stabilized.
- 94V-2 flammability rating.

### Installation

- Fast, easy installation.
- Comes complete with mounting hardware and gasket.
- Typical working properties of polycarbonate are -40° to 250°F (-40° to 121°C).

### Options

- Covers come in clear or in smoke color where privacy is required (STI-6516 clear only).

## PRODUCT OVERVIEW

These tough covers protect devices from abuse, accidental damage and theft of access/keypad codes. Available in clear or smoke, for applications requiring privacy. The covers can protect a wide range of devices. All covers and hinges are molded from thick polycarbonate material that is UV-stabilized.

## HOW IT WORKS

STI offers a three year guarantee against breakage of polycarbonate covers in normal use. They are easy to install and are shipped complete with anchors, screws and gasket. Gasket replacement is recommended every five years.

# STI Bio Protectors/Snooper Stopper®

## Dimensions and Technical Information

### MODELS AVAILABLE

- STI-6514** Bio protector - identification reader cover - clear
- STI-6514-S** Bio protector - identification reader cover - smoke color
- STI-6516** Mini Bopper Stopper with spring loaded hinge - clear
- STI-7504** Snooper Stopper – clear
- STI-7505** Snooper Stopper – smoke
- BIO-7504\*** Bio protector - identification reader cover - clear
- BIO-7505\*** Bio protector - identification reader cover - smoke color

\* Includes 1" thick gasket

### APPROVALS & WARRANTY

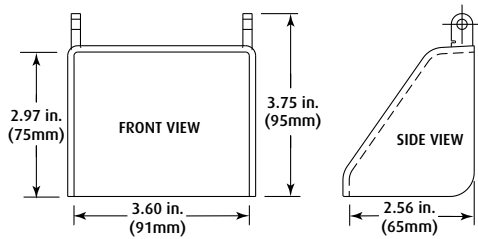
#### TESTING

Tested and approved or listed by:

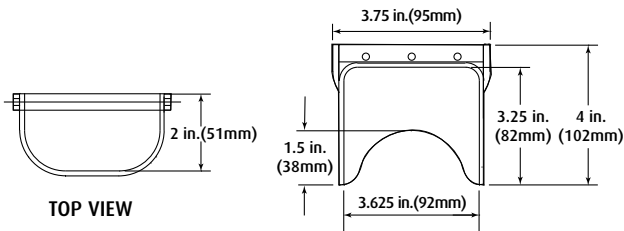
- Underwriter Laboratories No. S7255
- Canadian Underwriter Laboratories No. S7255
- California State Fire Marshal approval not required
- ADA Compliant (STI-6516 only)

#### WARRANTY

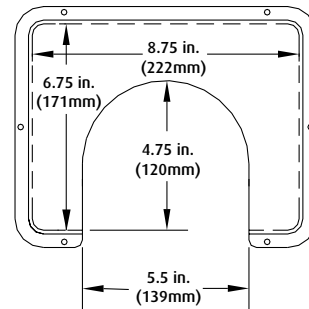
Three year guarantee against breakage of polycarbonate in normal use.



STI-6514

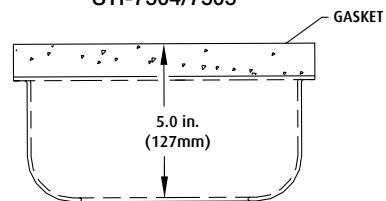


STI-6516



FRONT VIEW

BIO-7504/7505  
STI-7504/7505



TOP VIEW

BIO-7504/7505  
STI-7504/7505  
4 inches deep



Safety Technology  
International